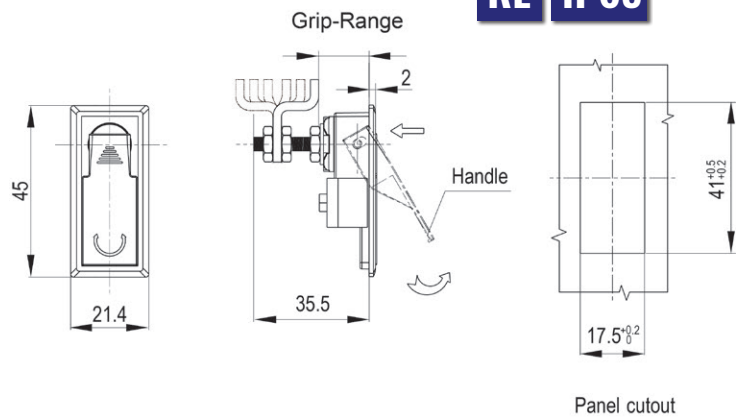


Zinc die handle and housing (black powder coated or bright chrome).
Mild steel zinc plated cam and shaft.

Grip Range		Cylinder Style	Black Powder Coated	Bright Chrome
Cam Forward Min - Max	Cam Reverse Min - Max			
6-16	56-66	Non-Locking	1241-00-110	1241-00-130
16-26	46-56		1241-00-210	1241-00-230
26-36	36-46		1241-00-310	1241-00-330



Zinc die handle and housing (black powder coated or bright chrome).
Mild steel zinc plated cam and shaft.

Grip Range		Cylinder Style	Black Powder Coated	Bright Chrome
Cam Forward Min - Max	Cam Reverse Min - Max			
4.5-10.5	34.5-40.5	Non-Locking	1241-200-110	1241-200-130
10.5-16.5	28.5-34.5		1241-200-210	1241-200-230
16.5-22.5	22.5-28.5		1241-200-310	1241-200-330