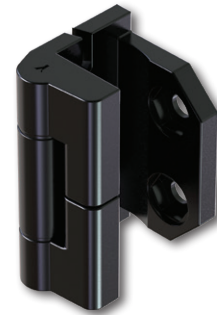
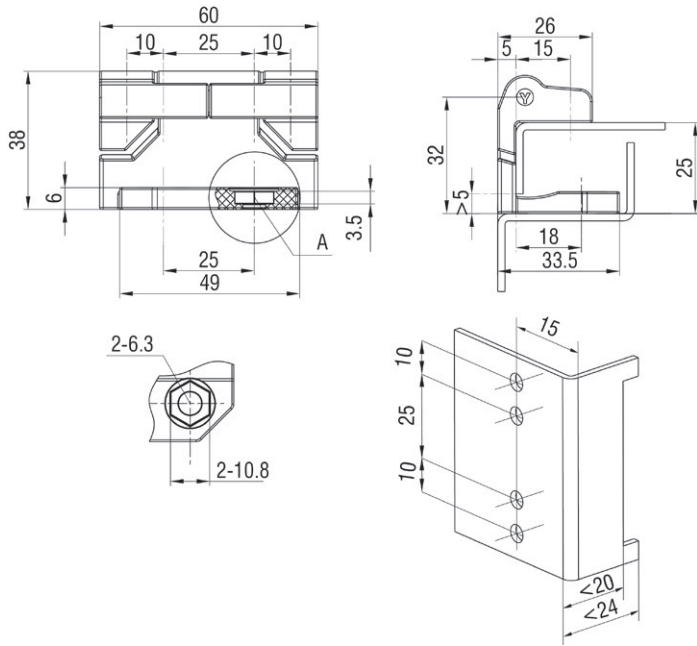


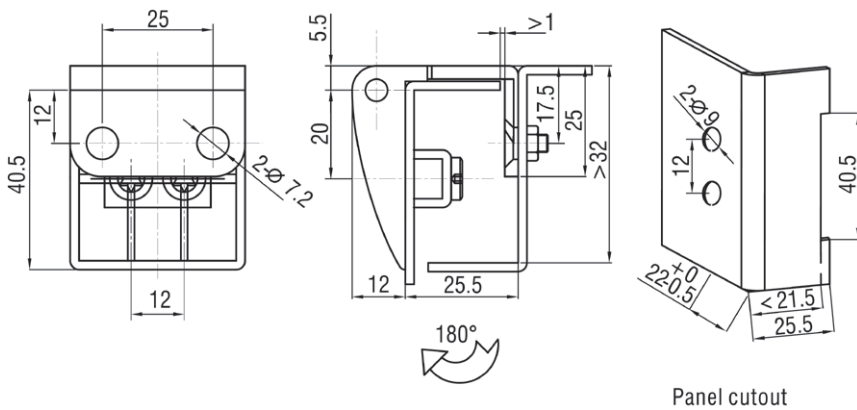


# External Hinge 2309/2310



Zinc die (black powder coated), mild steel zinc plated, SS pin.

Black Powder Coated	2309-10
---------------------	---------



Panel cutout



Zinc die (black powder coated), mild steel zinc plated, SS pin.

Black Powder Coated	Blue/Green Powder Coated	Black Textured Powder Coated
2310-02-10	2310-02-60	2310-02-70